

VISIT US AT:
WWW.GELEXGLOBAL.COM

GELEX GLOBAL GROUP

545 Velyka Diivska St., Dnipro, 49016, Ukraine
tel: +380-96-545-5450
(Viber, WhatsApp, Telegram)
E-mail: office@gelexglobal.com

MADE
IN UKRAINE

GALAXY

PROFESSIONAL RIBS



2024



The **PILOT P4** is a professional RIB, the smallest in the GALAXY line. The model is designed for patrolling, law enforcement, search and rescue, commercial use and much more in inland and offshore coastal waters. It is lightweight and easy to transport, making it ideal when mobility is required. Available in tiller and remote control versions.

STANDARD EQUIPMENT:

- Deep "V"-shaped dark gray (RAL 7011) powder coated aluminum hull.
- Self-drained cockpit, double gutters, bow locker, welded metal keel protection.
- 3-chamber inflatable U-shaped, black, made of PVC material, tube.
- Plugs for the inflatable tube are made of molded PVC.
- S-08 AQUAHELM seat with remote console, folding back and storage box.
- Movable aluminum seat 1pc.
- Built-in ventilated bow locker with an antiskid coating, where you can place a 12-liter fuel tank.
- Inner aluminum and outer plastic transom overlays for engine installation.
- A set of zinc anodes for additional corrosion protection of the hull.
- One-way drain valve with membrane and plug.
- Antiskid deck covering for comfortable and safe movement around the cockpit.
- Three towing units and six lifting points.
- Bow installed cast mooring cleat.
- Overpressure valve.
- Decorative overlays on the tube with handles, layers and logo.
- Rub Rail with water deflector.
- A set of oars, a highly efficient foot pump.
- Repair kit and user manual.

ADDITIONAL OPTIONS:

- Color upgrade of aluminum RIB hull to gray (RAL 7001) / black (RAL 9005).
- Tube material replacement with TPU or HYPALON.
- Color upgrade of the tube to white / dark gray / orange.
- Mechanical steering system, which includes steering cable, gearbox and steering wheel.
- Bow step plate with anchor roller.
- Two side step panels.
- A set of locks and holders for oars.
- Soft cushion on the aluminum seat.
- Bag under an aluminum seat.
- Overall cover.
- Cover for AQUAHELM seat.
- Electrical package, which includes navigation lights, running light, bilge pump, battery switch, battery box and key switches.
- Additional overpressure valves.
- Custom lettering on both sides of inflatable tube.

Reasons to choose GALAXY



S-08 AQUAHELM seat with remote console, folding back and storage box.



Folding back S-08 AQUAHELM



Built-in ventilated bow locker with an antiskid coating, where you can place a 12-liter fuel tank.



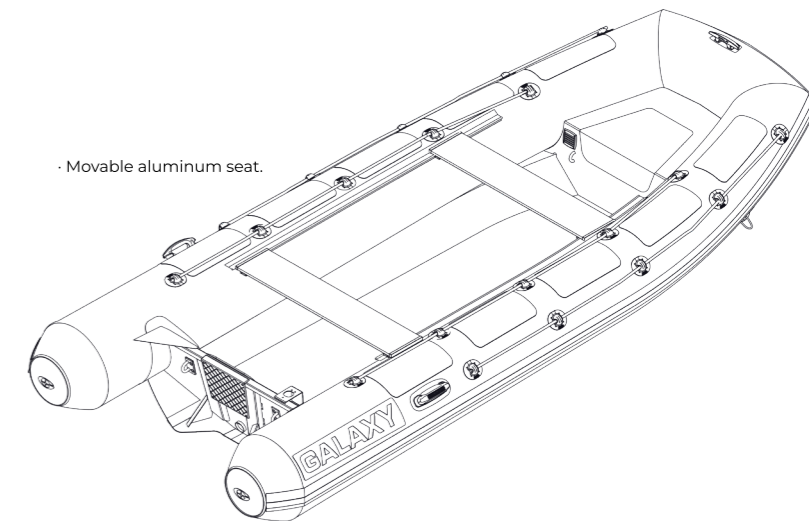
Movable aluminum seat 1pc



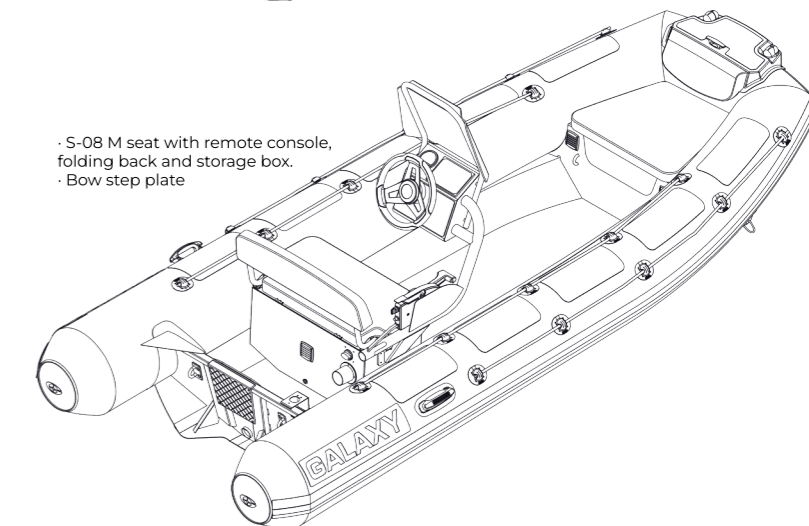
Maximum

- S-08 AQUAHELM seat with remote console, folding back and storage box.
- Movable aluminum seat
- Bow step plate

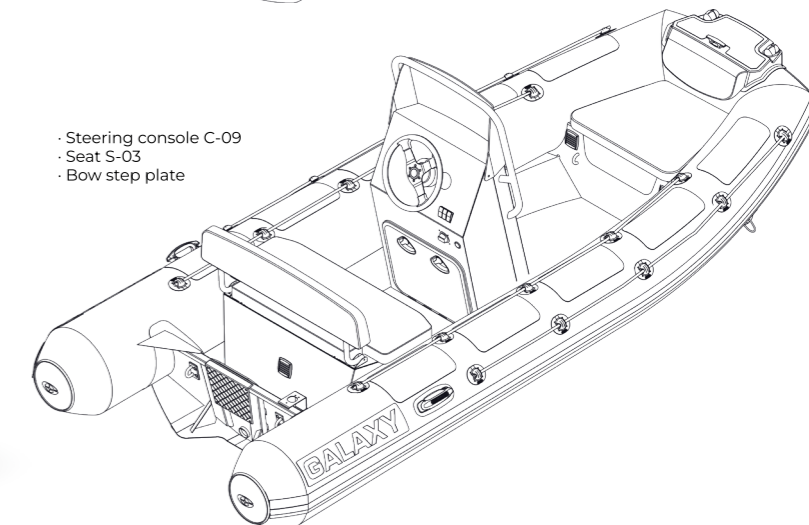
P4
450 cm (14' 9") long
70 HP max, 7 pers



· Movable aluminum seat.



· S-08 M seat with remote console, folding back and storage box.
· Bow step plate



· Steering console C-09
· Seat S-03
· Bow step plate

Colours

Gray tube / Black decor
· HYPALON

Orange tube / Black decor
· TPU Polyurethane
· HYPALON

Black tube / Black decor
· TPU Polyurethane
· HYPALON



The GALAXY Pilot P4.5 and Pilot P5 are two medium-sized professional RIBs, one of the smallest in the GALAXY range: The P4.5 is 450 cm (14'9") long and the P5 is 500 cm (16'5") long. Both models are designed for patrolling, law enforcement, search and rescue, commercial use and more in inland and offshore coastal waters. They are lightweight and easy to transport, so they are ideal when mobility is required.

Features:

- Enough space to accommodate a person on a stretcher for medical assistance or transport
- Reinforced welded aluminium body with passivation and powder coating
- GALA-TABS body extensions for superior performance

STANDARD EQUIPMENT:

- Deep "V"-shaped dark gray (RAL 7011) powder coated aluminum hull.
- Self-drained cockpit, double gutters, bow locker, welded metal keel protection (self-drained sleeves).
- 5-chamber inflatable U-shaped, black, made of PVC material, tube.
- Plugs for the inflatable tube are made of molded PVC.
- Steering console C-09.
- Seat S-10.
- A set of zinc anodes for additional corrosion protection of the hull.
- Built-in ventilated bow locker with an antiskid coating.
- Relief antiskid deck covering for comfortable and safe movement around the cockpit.
- 3 side lifting eyes, 2 rear and 1 bow eyes for towing.
- Overpressure valve.
- Decorative overlays on the tube with handles, layers and logo.
- Rub Rail with water deflector.
- A set of oars, highly efficient foot pump.
- Repair kit and user manual.

ADDITIONAL OPTIONS:

- Color upgrade of aluminum RIB hull to gray (RAL 7001) / black (RAL 9005)
- Tube material replacement with TPU or HYPALON.
- Color upgrade of the tube to white / dark gray / orange.
- Steering console C-04P.
- S-04P / S-12 seat to choose from.
- Electrical package which includes key switches, navigation lights, running light, horn, bilge pump, battery switch, battery tray.
- Hydraulic or mechanical steering system.
- Fuel system with 83l tank, a fuel level sensor and a filler neck.
- Bow step plate with anchor roller.
- Two side step panels.
- Radar mast installed on the console N°1
- Radar arch N°2
- Engine guard frame N°2
- Towing arch with 2 cleats and towing eye.
- Bow bollard K8.
- Overall cover, covers for console and seat.
- Additional overpressure valves.
- Custom lettering on both sides of inflatable tube.

Options



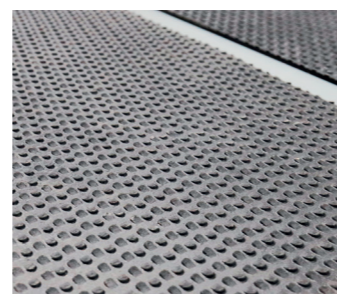
Every GALAXY is fully custom designed and built for every single customer



Bow step plate with roller



Impressive cockpit space - it is exactly what every PRO need to do the job or complete a mission



Antiskid deck covering for comfortable and safe movement around the cockpit

Basic

- Steering console C-09.
- Seat S-10

P4.5

450 cm (14' 9") long
70 HP max, 7 pers

Maximum

- Steering console C-04P.
- Seat S-04P
- Bow step plate with anchor roller
- Radar mast installed on the console N°1.
- Radar arch N°2.
- Engine guard frame N°2.

- Steering console C-09
- Seat S-12
- Bow step plate with anchor roller.
- Radar arch N°2.
- Engine guard frame N°2.
- Bow bollard K8.

- Steering console C-04P
- Seat S-04P
- Bow step plate with anchor roller.
- Radar mast installed on the console N°1.
- Radar arch N°2.
- Engine guard frame N°2.
- Bow bollard K8.

- Steering console C-09
- Seat S-10
- Bow step plate with anchor roller.
- Radar arch N°2.
- Engine guard frame N°2.
- Bow bollard K8.

Basic

- Steering console C-09.
- Seat S-10

P5

500 cm (16' 5") long
100 HP max, 8 pers

Maximum

- Steering console C-04P.
- Seat S-12
- Bow step plate with anchor roller
- Radar mast installed on the console N°1.
- Radar arch N°2.
- Engine guard frame N°2.

- Steering console C-09
- Seat S-12
- Radar arch N°2.
- Engine guard frame N°2.
- Bow bollard K8.

- Steering console C-04P
- Seat S-04P
- Bow step plate with anchor roller.
- Radar mast installed on the console N°1.
- Radar arch N°2.
- Engine guard frame N°2.
- Bow bollard K8.

- Steering console C-09
- Seat S-10
- Bow step plate with anchor roller.
- Radar arch N°2.
- Engine guard frame N°2.

- Steering console C-04P
- Seat S-04P
- Bow step plate with anchor roller.
- Radar mast installed on the console N°1.
- Radar arch N°2.
- Engine guard frame N°2.
- Bow bollard K8.

Colours

- Gray tube / Black decor
- HYPALON

- Orange tube / Black decor
- TPU Polyurethane
- HYPALON

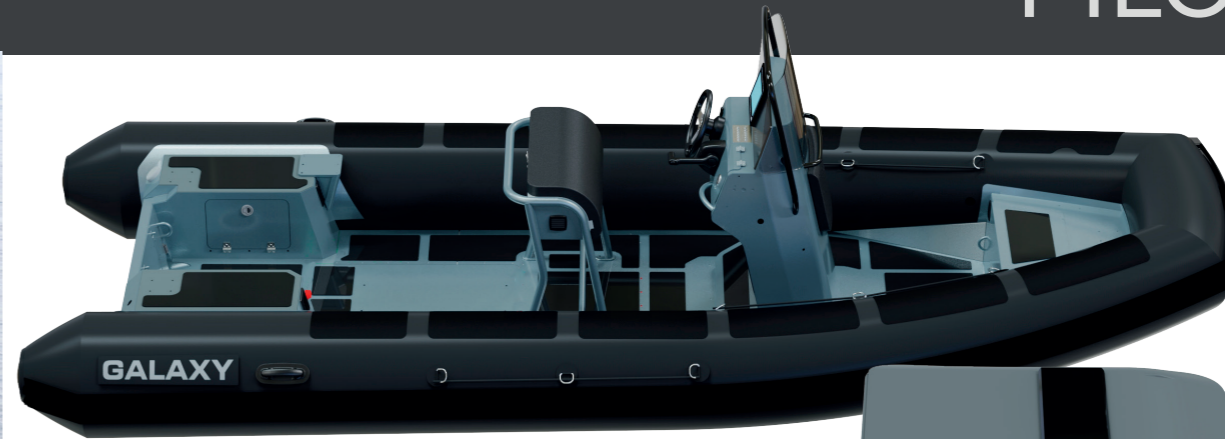
- Black tube / Black decor
- TPU Polyurethane
- HYPALON

P6

580 cm (19' 0") long
175 HP max, 10 pers

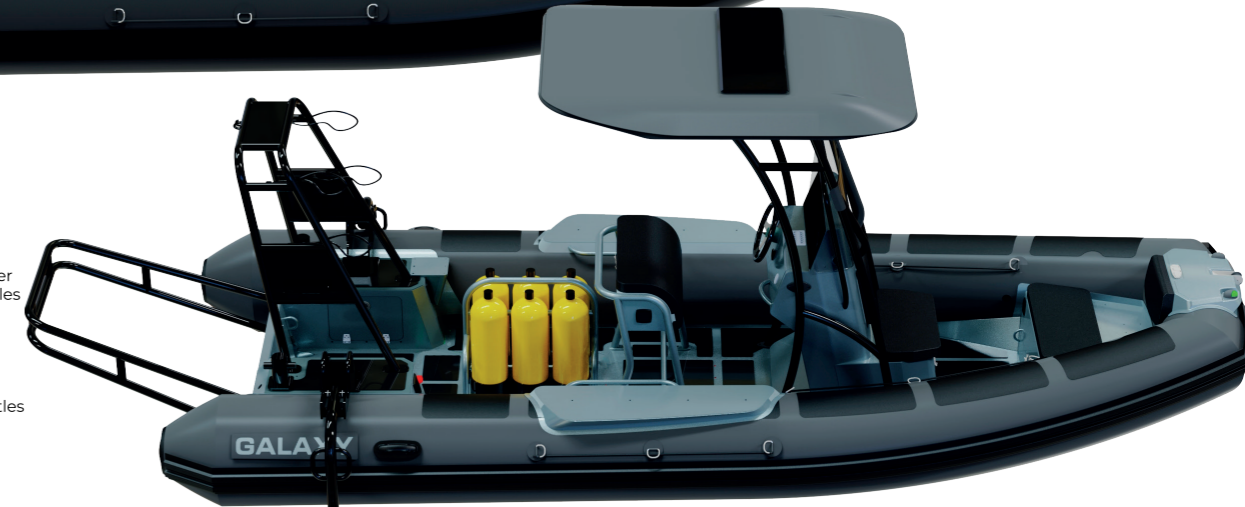
Basic

- Steering console C-07P.
- Seat S-09



Maximum

- Steering console C-07P.
- Seat S-05P
- Bow step plate with anchor roller
- Two side step panels with handles
- T-top N°2P
- Radar arch N°10 narrow
- Engine guard frame N°3
- Two stern bollards K6
- Diving ladder
- Rack for storage of 6 diving bottles



The **Pilot P6** is our most popular model for professional use. The main areas of application for these boats are:

- Rescue boats for fire and rescue services
- Law enforcement boats for inland and coastal waters
- General purpose work or commercial boats.

The main and most attractive features and advantages of these models are:

- Impressive free space on deck, allowing one person to safely position themselves along the deck for rescuers and paramedics.
- A large number of different consoles, seats and boat equipment, allowing you to customise the cockpit layout and exactly match your needs.
- High level of naval engineering and European production quality with optimised weight and performance

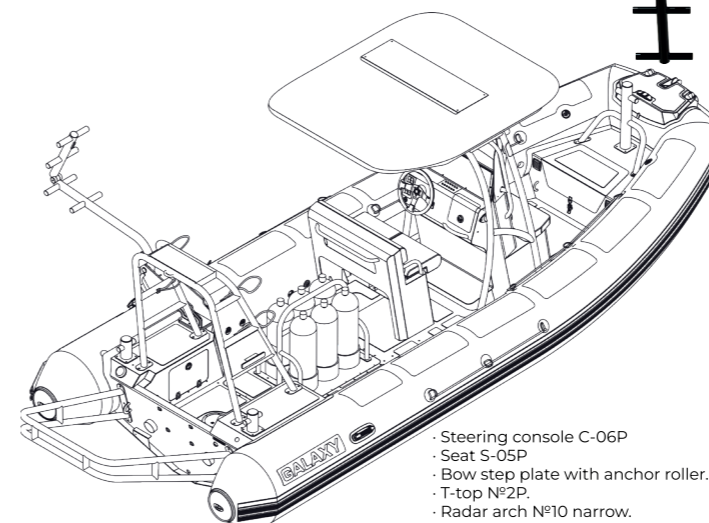
STANDARD EQUIPMENT:

- Deep "V"-shaped dark gray (RAL 7011) powder coated aluminum hull.
- Self-drained cockpit, double gutters, bow locker, welded metal keel protection (self-drained sleeves).
- 5-chamber inflatable U-shaped, black, made of PVC material, tube.
- Plugs for the inflatable tube are made of molded PVC.
- Steering console C-07P.
- Seat S-09.
- A set of zinc anodes for additional corrosion protection of the hull.
- Built-in ventilated bow locker with an antiskid coating.
- Two stern lockers for storing goods.
- Relief antiskid deck covering for comfortable and safe movement around the cockpit.
- 3 side lifting eyes, 2 rear and 1 bow eyes for towing.
- Overpressure valve.
- Decorative overlays on the tube with handles, layers and logo.
- Rub Rail with water deflector.
- A set of oars, highly efficient foot pump.
- Repair kit and user manual.

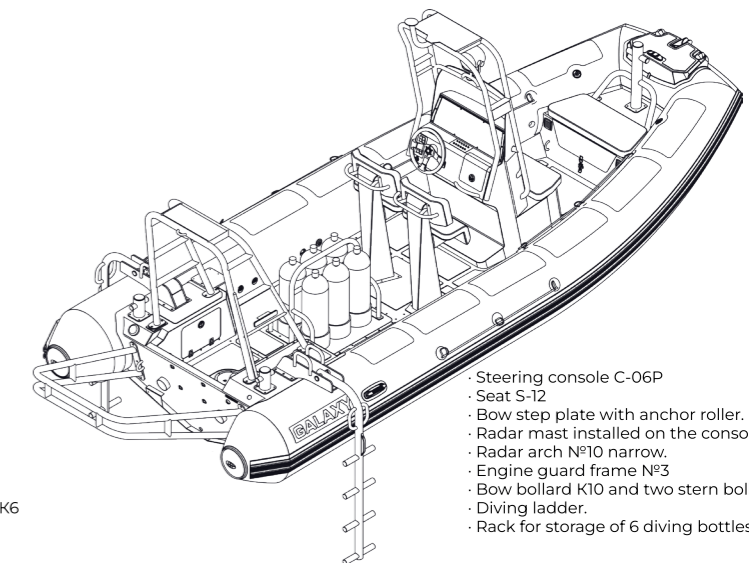
ADDITIONAL OPTIONS:

- Color upgrade of aluminum RIB hull to gray (RAL 7001) / black (RAL 9005).
- Tube material replacement with TPU or HYPALON.
- Color upgrade of the tube to white / dark gray / orange.

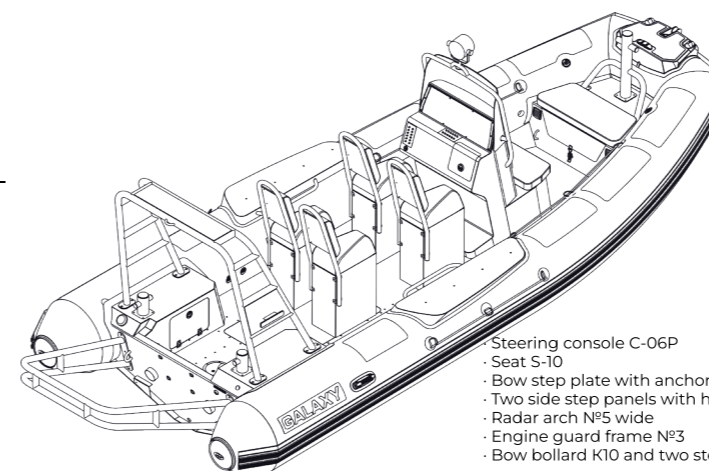
- C-06P / C-25 steering console for choose.
- S-05P / S-10 / S-12 seat for choose.
- Electrical package which includes key switches, navigation lights, running light, horn, bilge pump, battery switch, battery tray.
- Hydraulic steering system.
- Fuel system with 106l tank, a fuel level sensor and a filler neck.
- Bow step plate with anchor roller.
- Two side step panels with handles.
- Bow locker soft cushion.
- T-top N°2P.
- Radar mast installed on the console N°3.
- Radar arch N°5 wide or N°10 narrow.
- Engine guard frame N°3.
- Towing arch with 2 cleats and towing eye.
- Bow bollard K10 and two stern bollards K6
- Diving ladder.
- Rack for storage of 6 diving bottles .
- Additional railings on tubes.
- Overall cover, covers for console and seat.
- Additional overpressure valves.
- Custom lettering on both sides of inflatable tube.
- Custom lettering on T-top.



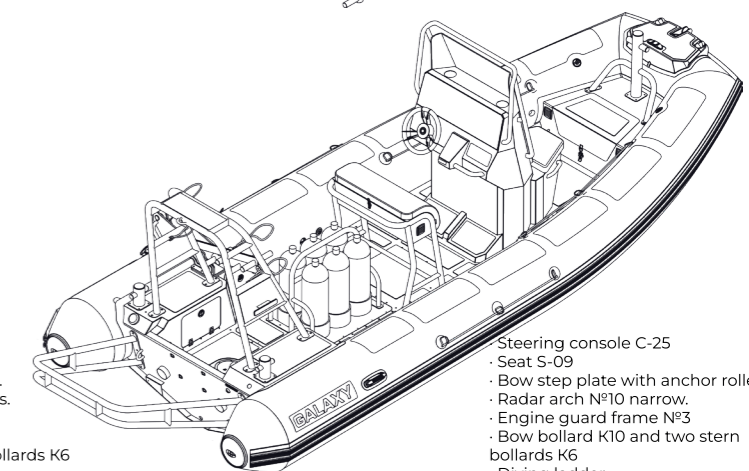
- Steering console C-06P
- Seat S-05P
- Bow step plate with anchor roller.
- T-top N°2P.
- Radar arch N°10 narrow.
- Engine guard frame N°3
- Bow bollard K10 and two stern bollards K6
- Diving ladder.
- Rack for storage of 6 diving bottles .



- Steering console C-06P
- Seat S-12
- Bow step plate with anchor roller.
- Radar mast installed on the console N°3
- Radar arch N°10 narrow.
- Engine guard frame N°3
- Bow bollard K10 and two stern bollards K6
- Diving ladder.
- Rack for storage of 6 diving bottles .



- Steering console C-06P
- Seat S-10
- Bow step plate with anchor roller.
- Two side step panels with handles.
- Radar arch N°5 wide
- Engine guard frame N°3
- Bow bollard K10 and two stern bollards K6



- Steering console C-25
- Seat S-09
- Bow step plate with anchor roller.
- Radar arch N°10 narrow.
- Engine guard frame N°3
- Bow bollard K10 and two stern bollards K6
- Diving ladder.
- Rack for storage of 6 diving bottles .

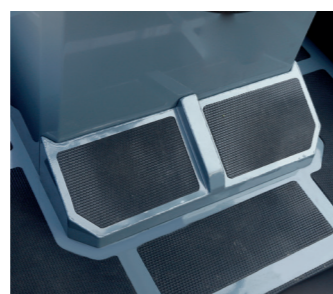
Options



Steering console C-07P and seat S-09



Two side step panels with handles



Footplate for console C-25 with non-slip coating



Bow platform with anchor roller, bow bollard bow and soft cushion on bow locker

Colours

- Gray tube / Black decor
- HYPALON

- Orange tube / Black decor
- TPU Polyurethane
- HYPALON

- Black tube / Black decor
- TPU Polyurethane
- HYPALON



The **Pilot P7** boats have a wide range of applications and are particularly suitable for search and rescue operations. Thanks to their lightness, excellent sea performance and high load capacity, as well as their inflatable sides, they provide convenient mooring, fast evacuation and transportation of the wounded.

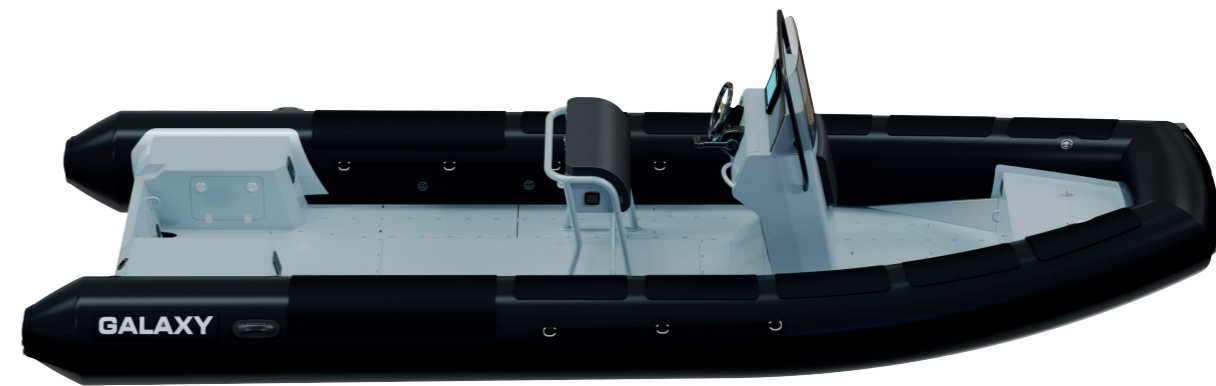
STANDARD EQUIPMENT:

- Deep "V"-shaped dark gray (RAL 7011) powder coated aluminum hull.
- Self-drained cockpit, double gutters, bow locker, welded metal keel protection (self-drained sleeves).
- 5-chamber inflatable U-shaped, black, made of PVC material, tube.
- Plugs for the inflatable tube are made of molded PVC.
- C-07P steering console in standard configuration.
- S-09 sofa/seat in standard configuration.
- A set of zinc anodes for additional corrosion protection of the hull.
- Built-in ventilated bow locker with an antiskid coating.
- Two stern lockers for storing goods.
- Relief antiskid deck covering for comfortable and safe movement around the cockpit.
- 3 side lifting eyes, 2 rear and 1 bow eyes for towing.
- Overpressure valve
- Decorative overlays on the tube with handles, layers and logo.
- Rub Rail with a water deflector.
- A set of oars, a highly efficient foot pump.
- Repair kit and user manual.

ADDITIONAL OPTIONS:

- Color upgrade of aluminum RIB hull to gray (RAL 7001) / black (RAL 9005).
- Tube material replacement with TPU or HYPALON. Color upgrade of the tube to white / dark gray / orange.
- C-06P / C-25 steering consoles to choose from.

- S-05P / S-10 / S-12 sofa/seat to choose from.
- Electrical package which includes key switches, navigation lights, running light, horn, bilge pump, battery switch, battery tray.
- Hydraulic steering system.
- Fuel system with a 202 liter tank, a fuel level sensor and a filler neck.
- Bow step plate with anchor roller.
- Two side step panels with handles.
- Bow locker soft cushion.
- T-top No. 2P.
- Radar mast No. 3 installed on the console.
- Radar arch No. 5 wide / No. 10 narrow.
- Engine guard frame No.3.
- Towing arch with 2 mooring cleats and a towing eye.
- Bow bollard K10 and two rear bollards K6
- Diving ladder.
- Rack for storage of 6 / 12 diving bottles.
- Additional railings on tubes.
- Overall cover, covers for console and seat.
- Additional overpressure valves.
- Custom lettering on both sides of tube.
- Custom lettering on on T-top.



P7

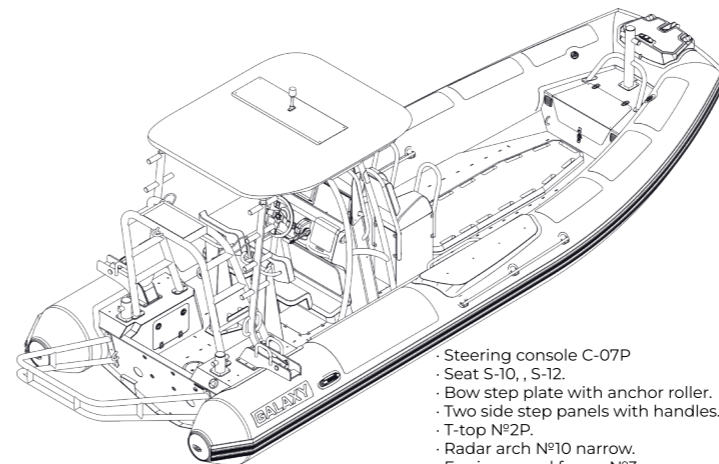
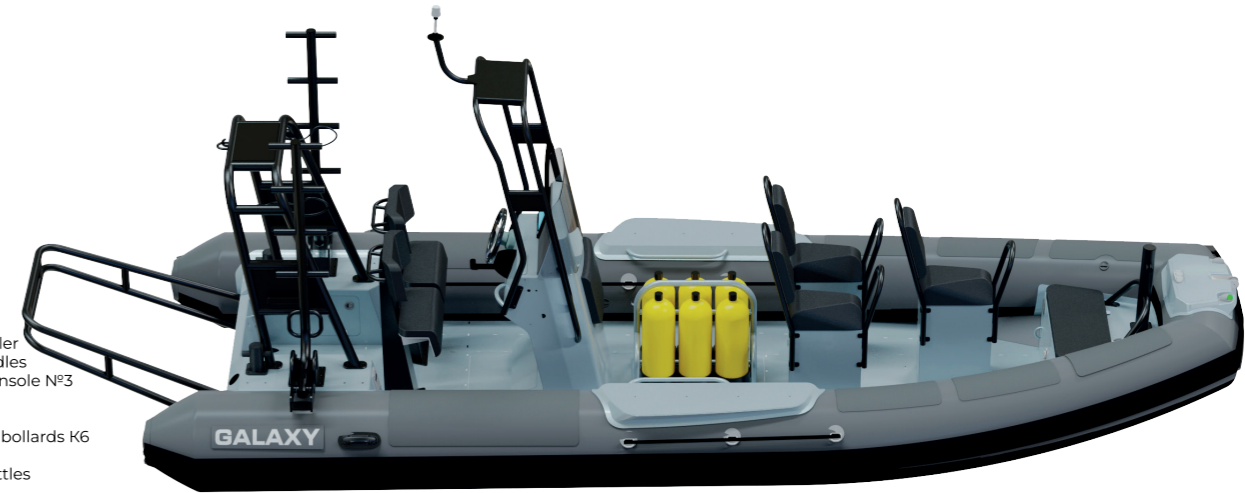
650 cm (21' 4") long
250 HP max, 12 pers

Basic

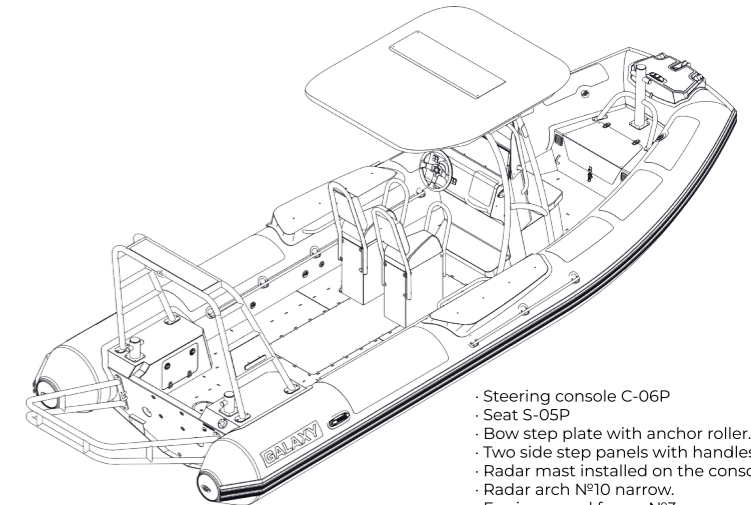
- Steering console C-07P.
- Seat S-09

Maximum

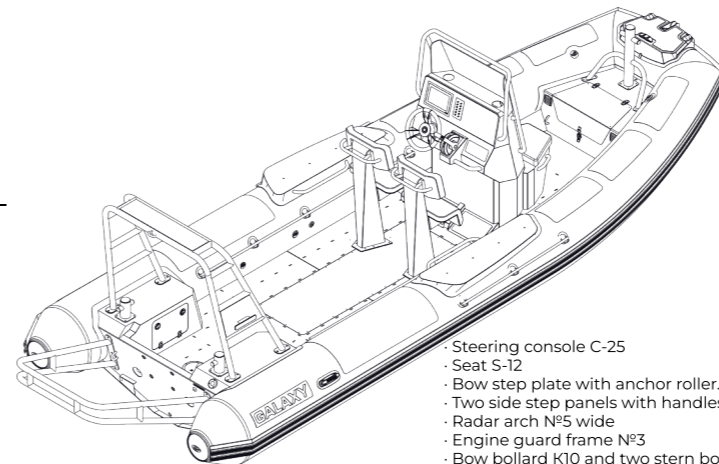
- Steering console C-07P.
- Seat S-10, S-12
- Bow step plate with anchor roller
- Two side step panels with handles
- Radar mast installed on the console N°3
- Radar arch N°10 narrow
- Engine guard frame N°3
- Bow bollard K10 and two stern bollards K6
- Diving ladder
- Rack for storage of 6 diving bottles



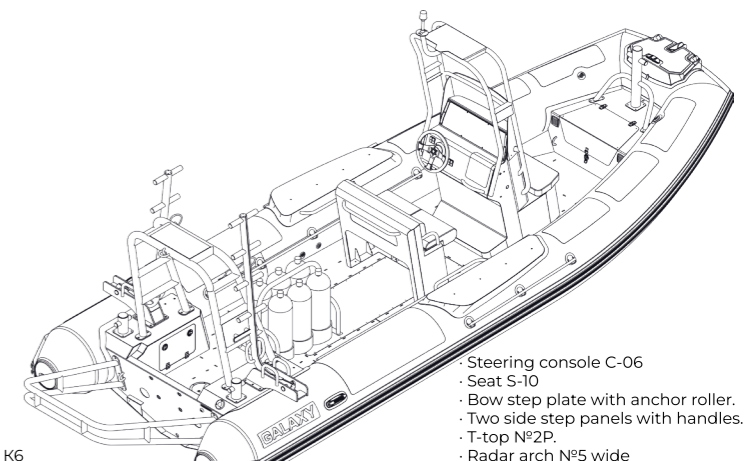
- Steering console C-07P
- Seat S-10, S-12.
- Bow step plate with anchor roller.
- Two side step panels with handles.
- T-top N°2P.
- Radar arch N°10 narrow.
- Engine guard frame N°3
- Bow bollard K10 and two stern bollards K6
- Diving ladder.



- Steering console C-06P
- Seat S-05P
- Bow step plate with anchor roller.
- Two side step panels with handles.
- Radar mast installed on the console N°3
- Radar arch N°10 narrow.
- Engine guard frame N°3
- Bow bollard K10 and two stern bollards K6
- Diving ladder.
- Rack for storage of 6 diving bottles.



- Steering console C-25
- Seat S-12
- Bow step plate with anchor roller.
- Two side step panels with handles.
- Radar arch N°5 wide
- Engine guard frame N°3
- Bow bollard K10 and two stern bollards K6



- Steering console C-06
- Seat S-10
- Bow step plate with anchor roller.
- Two side step panels with handles.
- T-top N°2P.
- Radar arch N°5 wide
- Engine guard frame N°3
- Bow bollard K10 and two stern bollards K6

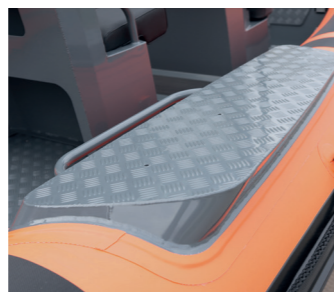
Options



Bow bollard and two rear bollards



Additional railings on tubes



Two side step panels with handles



Radar arch (wide) and Engine guard frame

Colours

Gray tube / Black decor
· HYPALON

Orange tube / Black decor
· TPU Polyurethane
· HYPALON

Black tube / Black decor
· TPU Polyurethane
· HYPALON



The **Pilot P8** is the most popular and high-performance boat for professional use in our range. Their main areas of application are:

- In the commercial sector, they are used for whale watching, coastal boat trips and passenger transport.
- They serve as rescue boats for fire and rescue services.
- For law enforcement agencies in inland and coastal waters, they are indispensable boats.
- They are also used for general work or commercial purposes.

The main advantages of these models are:

- Impressive deck space, which allows for safe accommodation of people for rescue and emergency operations.
- A wide range of consoles, seats and boat equipment, allowing you to customise the cabin to suit your needs.
- Manufactured from high quality materials with optimised weight and performance, taking into account naval engineering and European manufacturing quality.

STANDARD EQUIPMENT:

- Deep "V"-shaped dark gray (RAL 7011) powder coated aluminum hull.
- Self-drained cockpit, double gutters, bow locker, welded metal keel protection (self-drained sleeves).
- 5-chamber inflatable U-shaped, black, made of PVC material, tube.
- Plugs for the inflatable tube are made of molded PVC.
- C-08 steering console in standard equipment.
- S-11 sofa/seat in standard configuration.
- A set of zinc anodes for additional corrosion protection of the hull.
- Built-in ventilated bow locker with an antiskid coating.
- Two stern lockers for storing goods.
- Relief antiskid deck covering for comfortable and safe movement around the cockpit.
- 3 side lifting eyes, 2 rear and 1 bow eyes for towing.
- Overpressure valve
- Decorative overlays on the tube with handles, layers and logo.
- Rub Rail with a water deflector.
- A set of oars, a highly efficient foot pump.
- Repair kit and user manual.

ADDITIONAL OPTIONS:

- Color upgrade of aluminum RIB hull to gray (RAL 7001) / black (RAL 9005)
- Tube material replacement with TPU or HYPALON. Color upgrade of the tube to white / dark gray / orange.

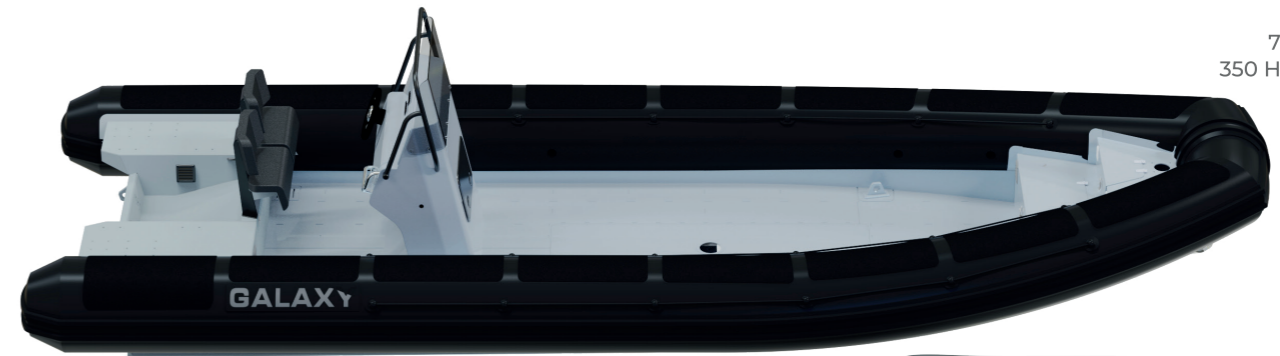
- S-05P / S-10 / S-12 sofa/seat to choose from.
- Electrical package which includes key switches, navigation lights, running light, horn, bilge pump, battery switch, battery tray.
- A bow bollard with a LED lamp and navigation lights.
- Hydraulic steering system.
- Fuel system with a 202 liter tank, a fuel level sensor and a filler neck.
- Bow step plate with anchor roller.
- Two side step panels with handles.
- Bow locker soft cushion.
- T-top N°5P.
- Radar mast No. 2 installed on the console.
- Radar arch No. 9 wide / No. 8 narrow.
- Engine guard frame No.5.
- Towing arch with 2 mooring cleats and a towing eye Towing arch with 2 mooring cleats and a towing eye.
- Bow bollard K7 and two rear bollards K9.
- Diving ladder.
- Rack for storage of 6 / 12 diving bottles
- Additional railings on tubes.
- Overall cover, covers for console and seat.
- Additional overpressure valves.
- Custom lettering on both sides of tube.
- Custom lettering on on T-top.

P8

780 cm (25' 7") long
350 HP max, 10(B) 14 (C) pers

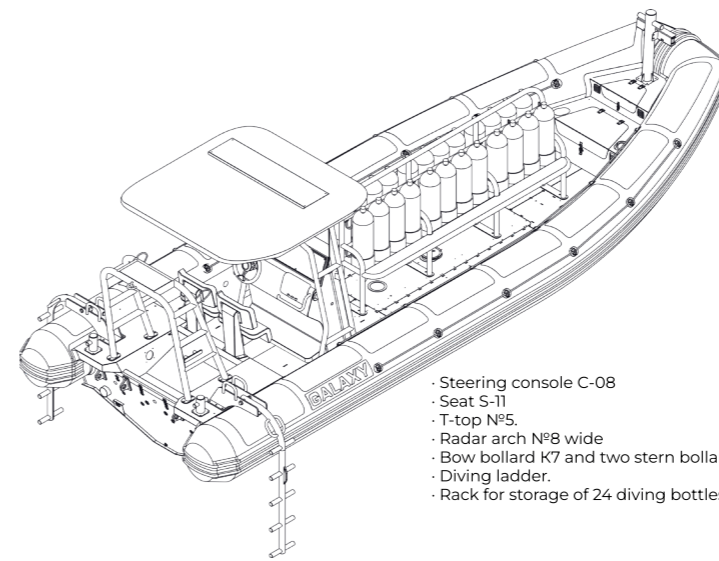
Basic

- Steering console C-08.
- Seat S-11

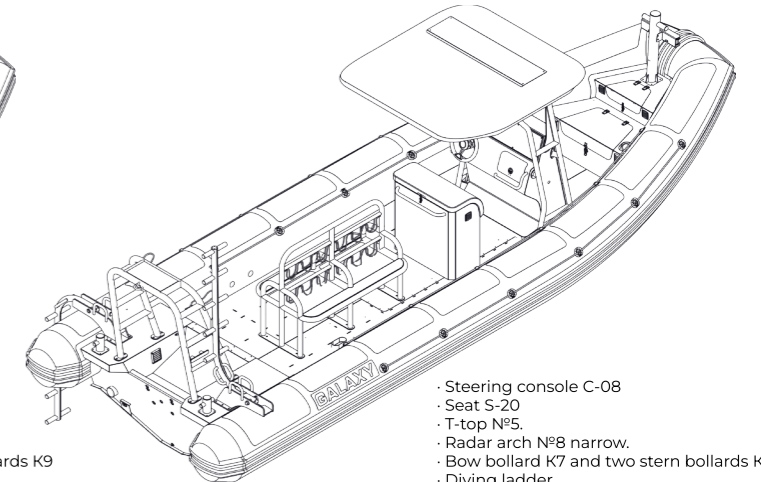


Maximum

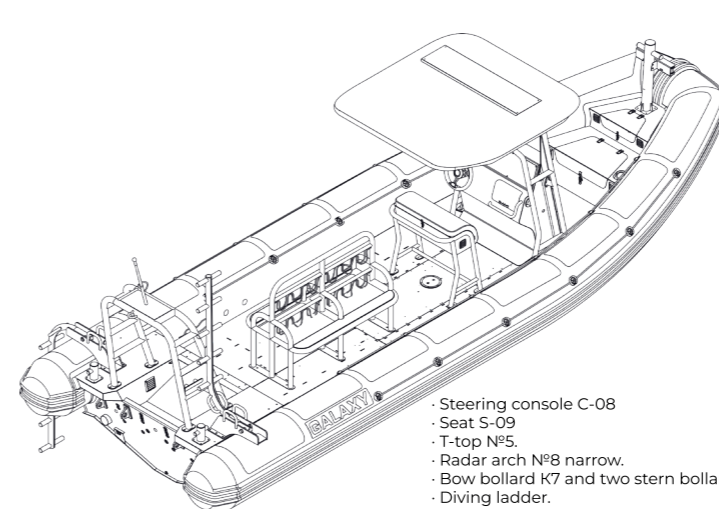
- Steering console C-08.
- Seat S-09
- T-top N°5
- Radar arch N°8 narrow
- Bow bollard K7 and two stern bollards K9
- Diving ladder
- Rack for storage of 12 diving bottles



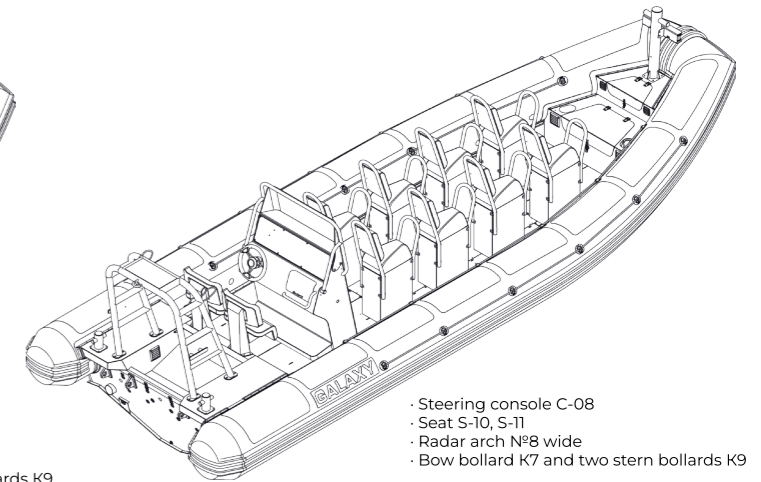
- Steering console C-08
- Seat S-11
- T-top N°5.
- Radar arch N°8 wide
- Bow bollard K7 and two stern bollards K9
- Diving ladder.
- Rack for storage of 24 diving bottles



- Steering console C-08
- Seat S-20
- T-top N°5.
- Radar arch N°8 narrow.
- Bow bollard K7 and two stern bollards K9
- Diving ladder.
- Rack for storage of 12 diving bottles .



- Steering console C-08
- Seat S-09
- T-top N°5.
- Radar arch N°8 narrow.
- Bow bollard K7 and two stern bollards K9
- Diving ladder.
- Rack for storage of 12 diving bottles

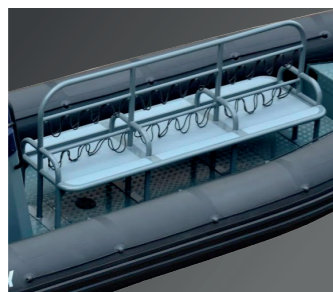


- Steering console C-08
- Seat S-10, S-11
- Radar arch N°8 wide
- Bow bollard K7 and two stern bollards K9

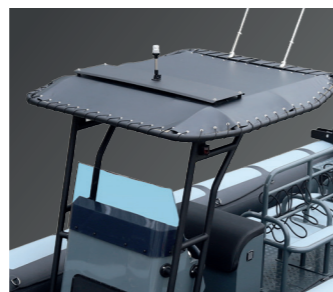
Options



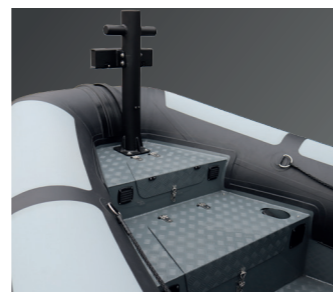
Two grade folding diving ladders with handles



Rack for storage of 6 / 12 / 24 diving bottles



GALAXY T-TOP with equipment mounting platform



Two stern lockers for storing goods and a bow bollard with a LED lamp and navigation lights

Colours

Gray tube / Black decor
· HYPALON

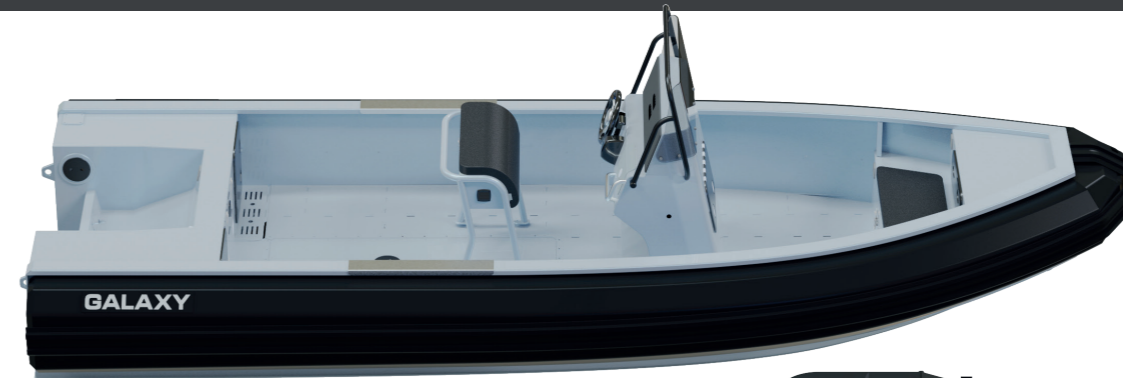
Orange tube / Black decor
· TPU Polyurethane
· HYPALON

Black tube / Black decor
· TPU Polyurethane
· HYPALON



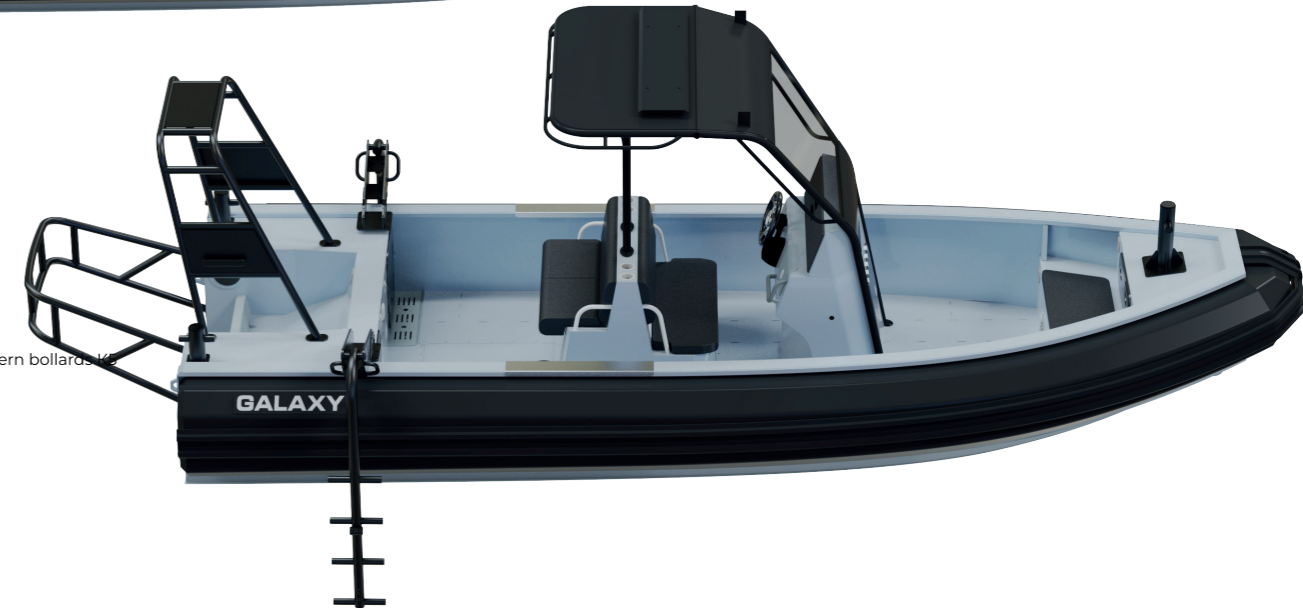
T7
650 cm (21' 4") long
250 HP max, 12 pers

Basic
· Steering console C-08.
· Seat S-09



Maximum

· Steering console C-08.
· Seat S-15
· T-top N°7
· Radar arch N°6
· Bow bollard K4 and two stern bollards K5
· Diving ladder



The **TRIDENT T7** (formerly T650) is one of the most innovative boats in the GALAXY line. This boat meets the most demanding requirements for patrol, law enforcement, heavy military and commercial boats. It has a heavy-duty welded aluminium hull structure with a D-tube. The D-TUBE concept is completely unique and the best solution for professional/commercial boats, providing significantly more cockpit space and durability than the classic O-shaped inflatable tube design.

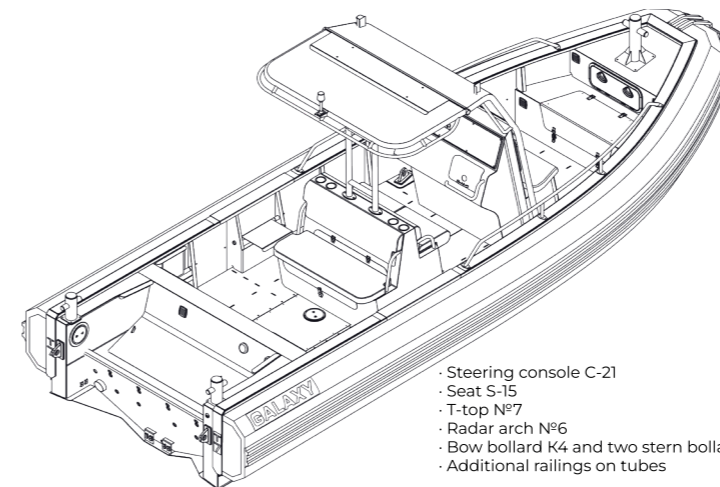
STANDARD EQUIPMENT:

- Deep "V"-shaped dark gray (RAL 7011) powder coated aluminum hull.
- Self-drained cockpit, double gutters, with two recess options for installing one or two engines, bow locker, anchor compartment, welded metal keel protection and folding seats - 4 pcs. (self-drained sleeves).
- 5-chamber D-shaped Inflatable tube made of PVC with 5 overpressure valves, Rub Rail, rescue layer.
- C-08 steering console.
- S-09 sofa/seat in standard configuration.
- A set of zinc anodes for additional corrosion protection of the hull.
- Relief antiskid deck covering for comfortable and safe movement around the cockpit.
- Mooring cleats - 4 pcs.; Lifting eyes - 4 pcs.;
- Towing eyes: stern - 2 pcs., bow - 1 pc.
- Set of oars.
- Repair kit and user manual.

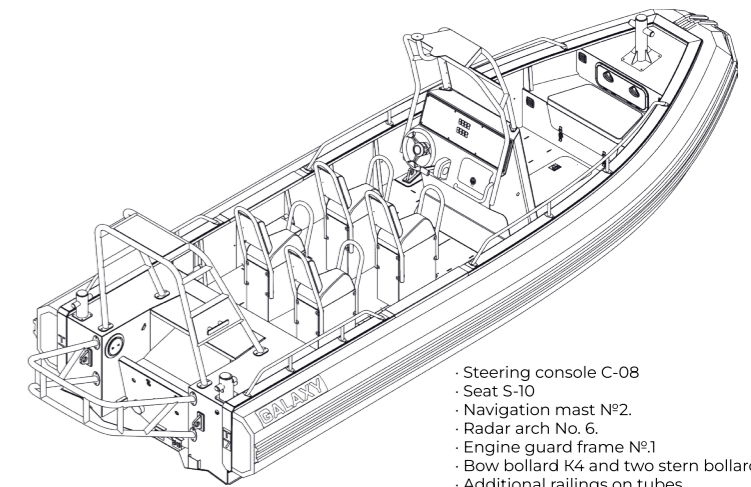
ADDITIONAL OPTIONS:

- Color upgrade of aluminum RIB hull to gray (RAL 7001) / black (RAL 9005).
- 3 types of D-shaped tube to choose from:
Type 1. 5-chamber D-shaped Inflatable tube made of HYPALON / TPU with 5 overpressure valves, Rub Rail, rescue layer (standard configuration).
Type 2. Combined tube made of special foam in a cover made of PVC / HYPALON / TPU materials.
Type 3. Tube made of special foam with TPU coating.

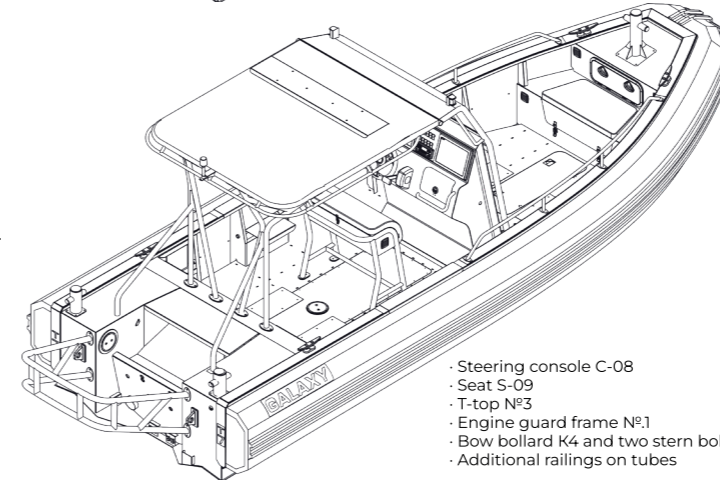
- Color upgrade of the tube to white / dark gray / orange.
- Hydraulic steering system with steering wheel.
- C-21 steering console.
- S-10 / S-15 sofa/seat to choose from.
- PRO electrical equipment package. Electrical kit including key switches, navigation lights, running light, horn, bilge pump, battery switch, battery tray.
- Fuel system with a built-in 202 liter tank, a fuel level sensor and a filler neck.
- Locker for storing the anchor.
- Radar arch No. 6.
- Navigation mast No. 2.
- Engine guard frame No.5.
- A large locker under the deck with a hatch for access.
- The panel above the recess is an extension of the deck in the stern part.
- T-Top No. 3 / No. 4 / No. 7. with windshield and railings.
- Bow bollard K4 and two rear bollards K5.
- Diving ladder.
- Rack for storage of 6 / 12 diving bottles.
- Overall cover, covers for console and seat.
- Custom lettering on both sides of tube.
- Custom lettering on on T-top.
- Additional railings on tubes.



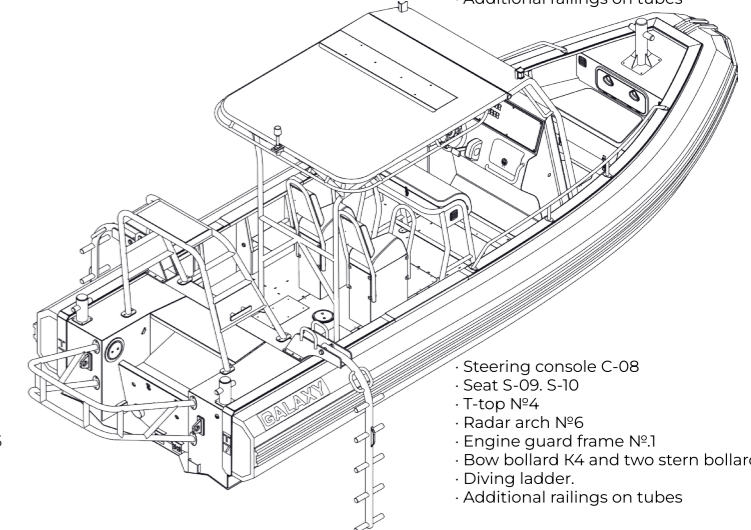
· Steering console C-21
· Seat S-15
· T-top N°7
· Radar arch N°6
· Bow bollard K4 and two stern bollards K5
· Additional railings on tubes



· Steering console C-08
· Seat S-10
· Navigation mast N°2.
· Radar arch No. 6.
· Engine guard frame N°1
· Bow bollard K4 and two stern bollards K5
· Additional railings on tubes



· Steering console C-08
· Seat S-09
· T-top N°3
· Engine guard frame N°1
· Bow bollard K4 and two stern bollards K5
· Additional railings on tubes



· Steering console C-08
· Seat S-09, S-10
· T-top N°4
· Radar arch N°6
· Engine guard frame N°1
· Bow bollard K4 and two stern bollards K5
· Diving ladder.
· Additional railings on tubes

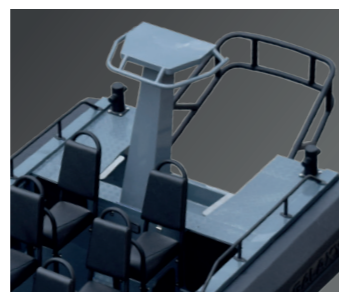
Options



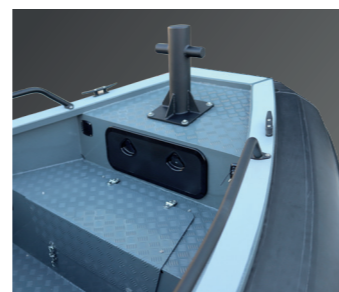
Steering console C-21



Seat S-10



Radar arch N° 6 and engine defence frame



Bow locker, bow bollard and side rails frame

Colours

Gray tube / Black decor
· HYPALON

Orange tube / Black decor
· TPU Polyurethane
· HYPALON

Black tube / Black decor
· TPU Polyurethane
· HYPALON



T8
780 cm (25' 7") long
500 HP max, 14 pers

- Basic**
- Steering console C-08.
 - Seat S-09



- Maximum**
- Steering console C-20
 - Seat S-03PM
 - Engine guard frame N°6
 - Bow bollard K12 and two stern bollards K9
 - Diving ladder
 - Rack for storage of 6 diving bottles

The **TRIDENT T8** is one of the most iconic and innovative GALAXY boats developed in 2023. It is designed to meet the most demanding requirements of patrol, law enforcement, heavy military and commercial applications. It has a heavy-duty welded aluminium hull structure with D-tube tanks. The D-TUBE concept is completely unique and the best solution for professional/commercial boats with significantly more cockpit space and durability than the classic O-shaped inflatable tubes.

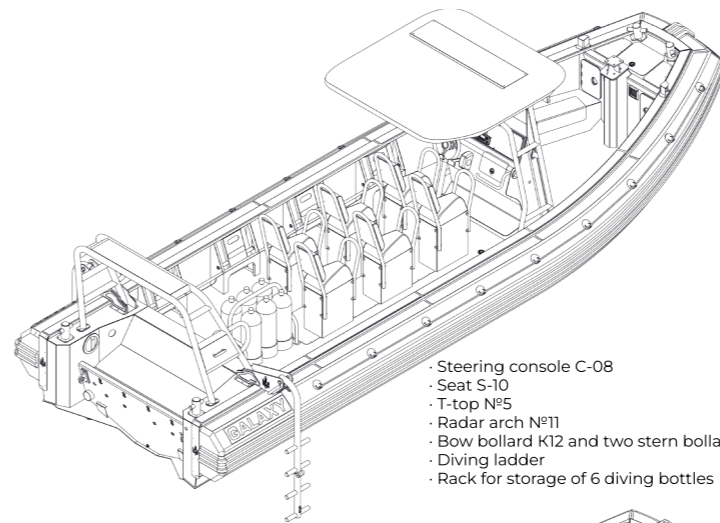
STANDARD EQUIPMENT:

- Deep "V"-shaped dark gray (RAL 7011) powder coated aluminum hull.
- Self-drained cockpit, double gutters, with two recess options for installing one or two engines, bow locker, anchor compartment, welded metal keel protection and folding seats - 8 pcs. (self-drained sleeves).
- 5-chamber D-shaped Inflatable tube made of PVC with 5 overpressure valves, Rub Rail, rescue layer.
- T8 PRO (C-08) steering console.
- T8 PRO S-09 sofa/seat in standard configuration.
- A set of zinc anodes for additional corrosion protection of the hull.
- Relief antiskid deck covering for comfortable and safe movement around the cockpit.
- Mooring cleats - 4 pcs.; Lifting eyes - 4 pcs.;
- Towing eyes: stern - 2 pcs., bow - 1 pc.
- Set of oars.
- Repair kit and user manual.

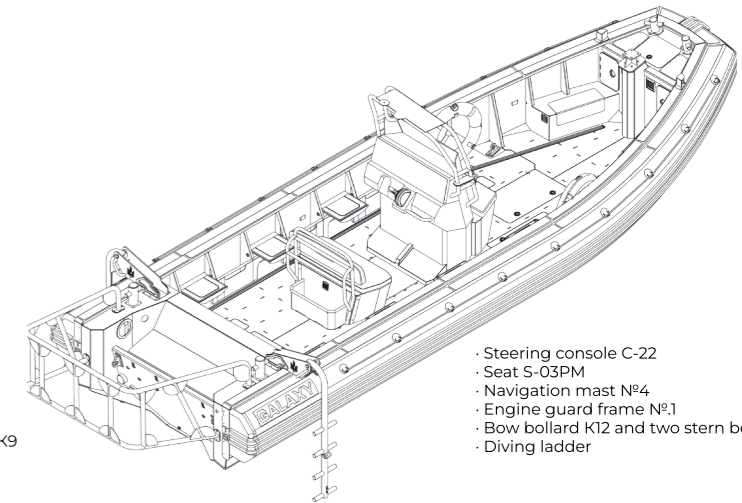
ADDITIONAL OPTIONS:

- Color upgrade of aluminum RIB hull to gray (RAL 7001) / black (RAL 9005).
- 3 types of D-shaped tube to choose from:
Type 1. 5-chamber D-shaped Inflatable tube made of HYPALON / TPU with 5 overpressure valves, Rub Rail, rescue layer (standard configuration).
Type 2. Combined tube made of special foam in a cover made of PVC / HYPALON / TPU materials.
Type 3. Tube made of special foam with TPU coating.

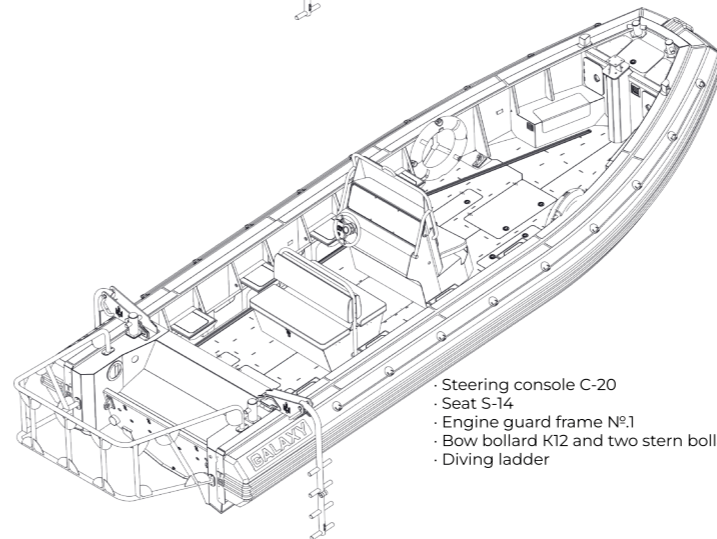
- Color upgrade of the tube to white / dark gray / orange.
- Hydraulic steering system with steering wheel.
- C-20 / C-22 steering console.
- S-10 / S-11 / S-14 / S-18 / S-03PRO sofa/seat to choose from.
- Fuel system with a built-in 400 liter tank, a fuel level sensor and a filler neck.
- Locker for storing the anchor.
- Radar arch No. 11.
- Navigation mast No. 4, No. 2.
- Engine guard frame No.6.
- A large locker under the deck with a hatch for access.
- The panel above the recess is an extension of the deck in the stern part.
- T-Top No. 5 with windshield and railings for T8 PRO.
- Bow bollard T8 PRO K12 and two rear bollards K9
- Rear bollards for T8M - K9.
- Diving ladder.
- Rack for storage of 6/12/24 diving bottles.
- Additional railings on tubes.
- Overall cover, covers for console and seat.
- Custom lettering on both sides of tube.
- Custom lettering on on T-top.



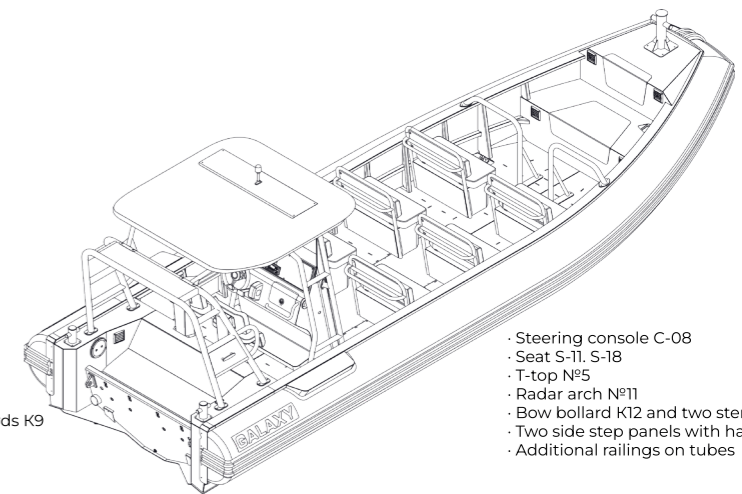
- Steering console C-08
- Seat S-10
- T-top N°5
- Radar arch N°11
- Bow bollard K12 and two stern bollards K9
- Diving ladder
- Rack for storage of 6 diving bottles



- Steering console C-22
- Seat S-03PM
- Navigation mast N°4
- Engine guard frame N°1
- Bow bollard K12 and two stern bollards K9
- Diving ladder

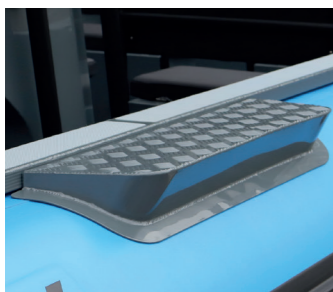


- Steering console C-20
- Seat S-14
- Engine guard frame N°1
- Bow bollard K12 and two stern bollards K9
- Diving ladder



- Steering console C-08
- Seat S-11, S-18
- T-top N°5
- Radar arch N°11
- Bow bollard K12 and two stern bollards K9
- Two side step panels with handles
- Additional railings on tubes

Options



2 side platforms made of ALU material



Folding seats from the hull - 8 pcs.



Convenient arrangement of sofas/chairs to choose from in the cockpit



Storage lockers in the bow with quick-access hatches for storage

Colours

- Gray tube / Black decor
- HYPALON

- Orange tube / Black decor
- TPU Polyurethane
- HYPALON

- Black tube / Black decor
- TPU Polyurethane
- HYPALON



The **HD460M** and **HC520** inflatable boats are ideal for applications where rapid deployment, high performance and reliability are critical to success. They are designed to perform a wide range of military and law enforcement missions, including combat reconnaissance, search and seizure, amphibious assault, rescue and evacuation, and maritime patrol.

HD 460M

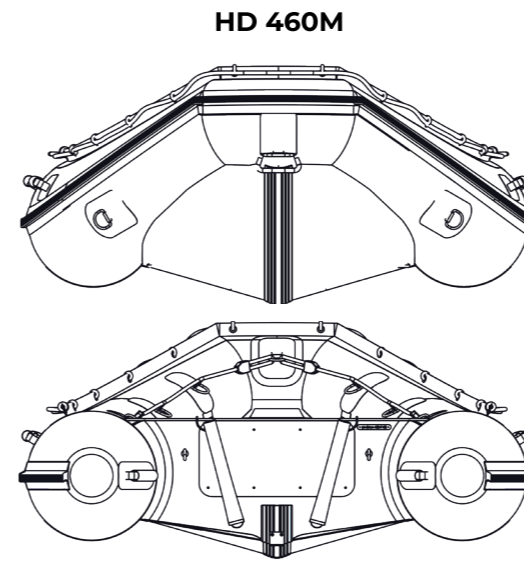
CONFIGURATION:

- Main 5-chamber buoyancy tube, 5 fill valves / 5 overpressure valves with additional protection in the stern part
- The bottom of the HD460M boat, reinforced with a rail.
- Transom made of moisture-resistant plywood, with two drainage sleeves and aluminum linings for the engine.
- Rub Rail.
- Inflatable keel, fixed to the bottom of the boat.
- Bow cover with keel access window.
- 3 towing eyes in the bow and 2 towing eyes in the stern.
- 12 handles on the outside of the boat.
- Layer.
- Internal layer holder, with additional D-shaped rings.
- Oar holders and 4 oars included.
- 4 lifting eyes.
- 14 D-shaped rings on the deck for fixing cargo and equipment.
- Transporting bag for the boat.
- Transporting bag for the flooring.
- 2 high pressure pumps
- 2 repair kits.
- User manual.

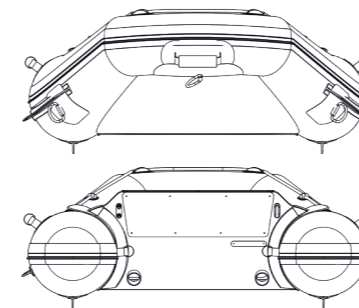
HC 520

CONFIGURATION:

- Main 5-chamber buoyancy tube, 5 fill valves / 5 overpressure valves with additional protection in the stern part.
- The bottom of the HC 520 boat, reinforced high-density flooring.
- Transom made of moisture-resistant plywood, with two drainage sleeves and aluminum linings for the engine.
- Rub Rail.
- 3 towing eyes in the bow and 2 towing eyes in the stern.
- 8 handles on the outside of the boat.
- 2 handles behind on the inside
- 1 handle in front below the Rub Rail
- 2 benches
- Internal layer holder.
- Oar holders.
- Transporting bag for the boat.
- Transporting bag for the flooring.
- 2 high pressure pumps
- 2 repair kits.



HC 520



HD 460M

470 cm (15' 7") long
50 HP max, 10 pers

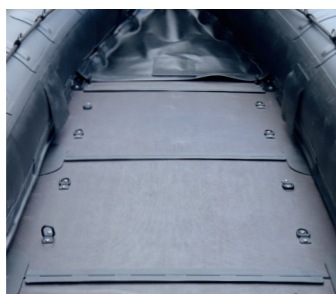
HC 520

520 cm (17' 1") long
8 HP max, 5 pers

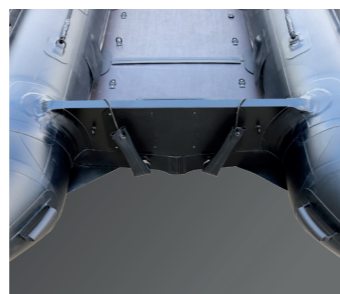
Reasons to choose GALAXY



Sturdy leiers along the side for passengers to hold onto



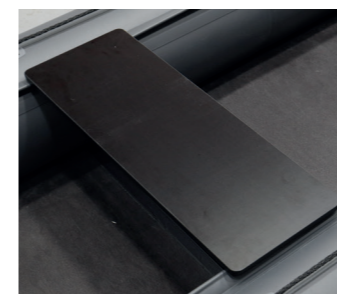
The bottom of the HD460M boat, reinforced with a rail on the HD460M boat



Transom made of moisture-resistant plywoods, with two drainage sleeves and aluminum linings for the engine on the HD460M boat



Ability to transport a person in a supine position on a special stretcher on the HC 520 boat

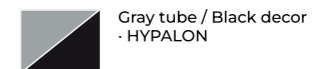


2 moveable plywood seats on the HC 520 boat

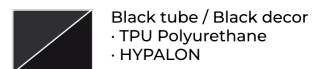


8 handles on the outside of the boat HC 520

Colours



Gray tube / Black decor
- HYPALON



Black tube / Black decor
- TPU Polyurethane
- HYPALON

Series	GALAXY Pilot Professional RIBs						GALAXY Trident Professional RIBs		HD460M HC520	
Models	P4	P4.5	P5	P6	P7	P8	T7	T8	HD460M	HC520
Length overall	390	450	500	580	650	780	650	780	470	520
ft/inches	12'10"	14'9"	16'5"	19'0"	21'4"	25'7"	21'4"	25'7"	15'7"	17'1"
Length inside	310	335	410	480	550	675	585	719	360	457
ft/inches	10'2"	11'8"	13'5"	15'9"	18'1"	22'2"	19'2"	23'7"	11'2"	15'0"
Width overall	170	215	215	250	250	285	250	285	200	104
ft/inches	5'7"	7'1"	7'1"	8'2"	8'2"	9'4"	8'2"	9'4"	6'7"	3'5"
Width inside	82	111	111	130	130	160	190	210	93	40
ft/inches	2'8"	3'8"	3'8"	4'3"	4'3"	5'3"	6'3"	6'11"	3'1"	1'4"
Tube diameter max	44	52	52	60	60	60	60	60	50	32
inches	17"	20"	20"	24"	24"	24"	24"	24"	20"	13"
Bare Boat weight *	80/115	280	370	580	650	850	880	1400-1600*	120	34
lbs	176/253	616	814	1276	1430	1870	1936	3086-3527	265	75
Loading capacity***	650	800	900	1400	1700	2000	1200	2000	1100	550
lbs	1430	1760	1980	3080	3740	4400	2640	4400	2420	1210
Passengers capacity	6	7	8	10	12	10(B),14(C)	10	14	10	5
No of chambers**	3	5	5	5	5	5	-	5/-	-	4
Engine recommended HP	20	50	70	150	175	250	250	400	40	6
kW	14.7	36.8	51.5	110.3	128.7	183.9	183.9	294.2	29.5	4.4
Engine max***	30	70	100	175	250	350	300	500	50	8
HP	221	51.5	73.5	128.7	183.9	220.6	220.6	367.7	36.8	5.9
kW	70	130	180	300	350	400	400	700	115	40
kg	154	286	396	660	770	880	880	1540	254	88
lbs	15" (20")	20"	20"	25"	25"	30"	25"	30"/2x25"	15"	15"
Engine shaft length	inch	-	83	83	106	202	202	400	-	-
Fuel system	lit	-	83	83	106	202	202	400	-	-
Deadrise transom/mid	deg	16°/22°	23°/28°	23°/28°	23°/30°	23°/30°	23°/30°	23°/30°	8°/15°	-
Transport dimensions	cm	353	430	500	550	620	660	780	-	90
of package N°1	cm	114	140	155	190	190	190	220	-	60
cm	54	78	81	110	110	150	110	180	-	47
ft/inches	11'7"	14'1"	14'11"	17'1"	20'4"	24'7"	21'8"	25'7"	-	2'11"
ft/inches	3'9"	4'7"	5'1"	6'3"	6'3"	7'3"	6'3"	7'3"	-	2'0"
ft/inches	19"	2'7"	2'8"	3'7"	3'7"	4'11"	3'7"	5'11"	-	1'7"
Transport dimensions	cm	55	70	70	80	80	80	90	-	100
of package N°2	cm	55	80	80	90	90	90	100	-	100
cm	95	100	100	110	110	120	110	120	-	120
ft/inches	19"	24"	24"	27"	27"	33"	27"	33"	-	2'7"
ft/inches	19"	27"	27"	2'11"	2'11"	3'3"	2'11"	3'3"	-	2'11"
ft/inches	31"	3'3"	3'3"	3'7"	3'7"	3'11"	3'7"	3'11"	-	3'7"
Transport dimensions	cm	80	120	120	110	130	130	110	-	140
of package N°3	cm	88	65	65	60	60	60	80	-	80
cm	100	60	60	60	60	80	60	80	-	80
ft/inches	18"	3'11"	3'11"	3'7"	4'3"	4'7"	4'3"	3'7"	-	3'7"
ft/inches	19"	22"	22"	3'7"	3'7"	2'7"	3'7"	2'7"	-	2'7"
ft/inches	33"	2'0"	2'0"	2'0"	2'0"	2'7"	2'0"	2'7"	-	2'7"
Tube material options	HYPALON, PVC, TPU						HYPALON, PVC, TPU PU coated foam		HYPALON, PVC, TPU	
Bottom type	Aluminium hull RIB						Aluminium hull RIB		PVC Airdeck/ Floorboards	
Alu hull thickness	mm	3	4	5	5	5	5	6	-	-
Boat design category****	C	C	C	C	C	B,C	C	C	C	D

All technical data are subject to change without notice. The product details and specifications may be changed from specified herein. All the dimensions are +/- 3%. All the weights are +/- 10%. Products availability, trim and specifications may vary by country. Please contact your local Dealer/Distributor for up-to-date information. The pictures in the catalogue were taken with the professional operators in controlled conditions. Please never try any activity, which is beyond your capabilities, nor which is potentially dangerous. Always wear appropriate and approved life vest or other personal flotation devices and appropriate clothing. Follow the User's Manual instructions for the boat and the engine. Make sure that you read and clearly understand all the restrictions and limitations. Have a safe boating!

* - The bare boat weight is just a weight of the empty boat without any removable accessories.
 ** - F series with floorboards have 1 extra buoyancy volume- the inflatable keel. F with airdeck have 2 extra buoyancy volume: the inflatable keel and the bottom.
 *** - Because of differences in local boatbuilding standards the Loading capacity, Passenger capacity, Maximum Engine Power and other specifications may vary by country and can be different to this specification. Please check that with your local Dealer.
 **** - Boat design category and Classification of European Directive for Recreational crafts 2013-53-EU

S-08
AQUAHELM



P4 P4.5 P5 P6 P7 P8 T7 T8

Length x Width x Height
890 x 930 x 960 mm.

C-04P



825 x 715 x 1245 mm.

C-09



825 x 710 x 1295 mm.

C-06P



950 x 850 x 1505 mm.

C-25



1210 x 1010 x 1680 mm.

C-07P



655 x 850 x 1505 mm.

C-08



740 x 1090 x 1525 mm.

C-21



1125 x 1090 x 1525 mm.

C-20



1065 x 1090 x 1475 mm.

C-22



1160 x 1210 x 1540 mm.

S-04P



P4 P4.5 P5 P6 P7 P8 T7 T8

560 x 720 x 750 mm.

S-10



730 x 320 x 1205 mm.

S-11



345 x 500 x 605 mm.

S-05P



660 x 1025 x 850 mm.

S-09



535 x 855 x 855 mm.

S-12



420 x 500 x 1065 mm.

S-14



910 x 1120 x 920 mm.

S-20



520 x 830 x 855 mm.

S-15



1050 x 1080 x 895 mm.

S-03PM



700 x 1025 x 970 mm.

S-18



600 x 800 x 815 mm.